

HF C200-02
dc power packs
for block mounted
CETOP 3 NG6 valves

HF C200 series

Hydraulfunktion has more than 20 year successfully manufactured and constantly improved box type dc power packs. Based on our experience we have developed C200 series as new product line.

C200 is a modular series which covers the most typical applications in the vehicle building and material handling industry.

HF C200-02

dc power packs for block mounted
CETOP 3 NG6 valves



HF C200-06

power packs for block mounted CETOP 3 NG6 valves

features:

manifold block: C200-02
dc motors: 2kW – 3kW (12V, 24V, 48V)
gear pumps: group 1 (0,85ccm – 4,3ccm)
tanks: plastic tanks (5L, 6L, 8L, 12L)

dc motors:

- 2kW 12V, 24V, 48V
- 3kW 12V, 24V
- 3kW with fan 12V, 24V, 48V
- 4kW with fan 24V

gear pumps:

- 0,85ccm nominal pressure: 250bar
- 1,2ccm max. pressure: 280bar
- 1,7ccm
- 2,2ccm pressure peaks: 300bar
- 2,6ccm
- 3,2ccm
- 4,3ccm

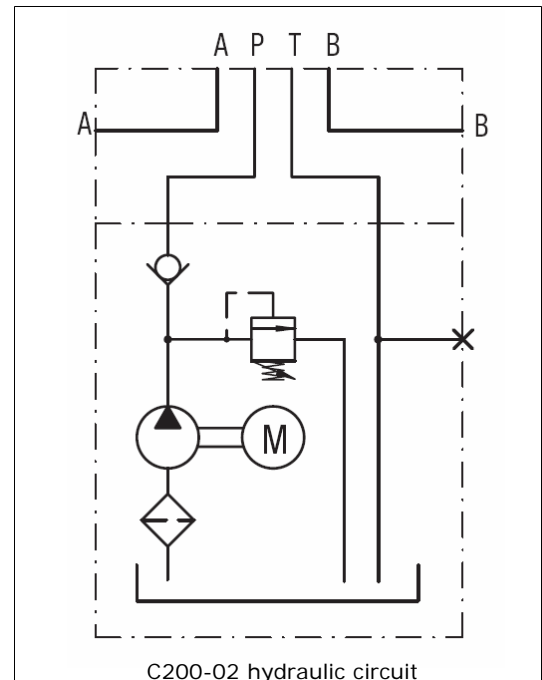
other pump displacements and pressure ratings
available on request

tanks:

plastic tanks usable for vertical and horizontal
mounting

nominal	horizontal*	vertical*
5 L	5,5 L	5,9 L
6 L	7,1 L	6,5 L
8 L	9,9 L	8,7 L
12 L	12,7 L	11,2 L

*usable oil volumes



Special customer requirements

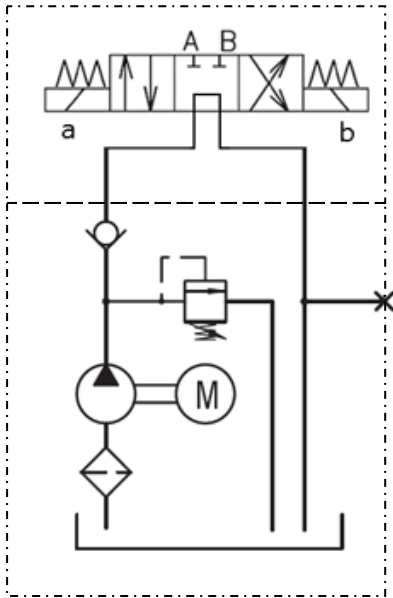
If you have any special requests, please contact our sales department. We are dedicated to find a solution that fulfils your needs. If possible we can develop components according to your specifications.

HYDRAULFUNKTION AB

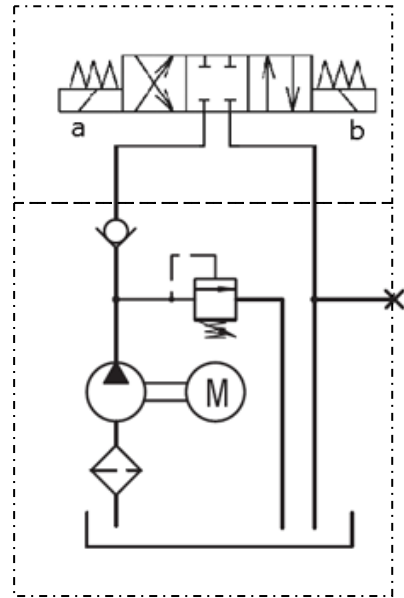
Kungsgatan 67 | S-341 32 Ljungby | hf@hydraulfunktion.se | Tel.: +46(0)372-15840 | Fax.: +46(0)372-15843

HF C200-02

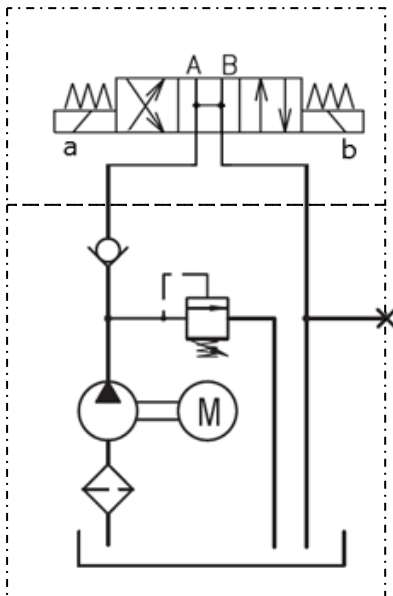
dc power packs for block mounted
CETOP 3 NG6 valves



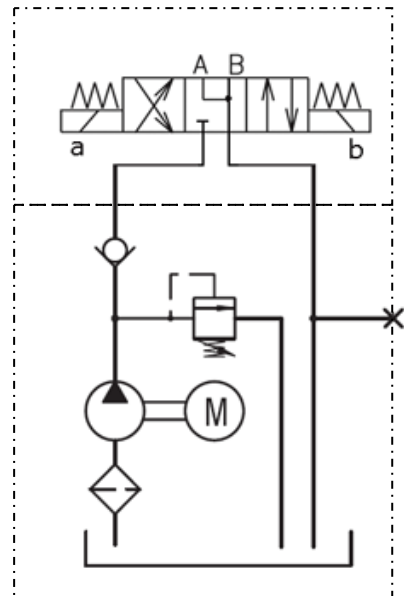
C200-0201 hydraulic circuit



C200-0202 hydraulic circuit



C200-0203 hydraulic circuit



C200-0204 hydraulic circuit

Other valves for block mounting available on request

We can supply power packs with the most commonly used CETOP NG6 valves.
Please contact our sales department

HYDRAULFUNKTION AB

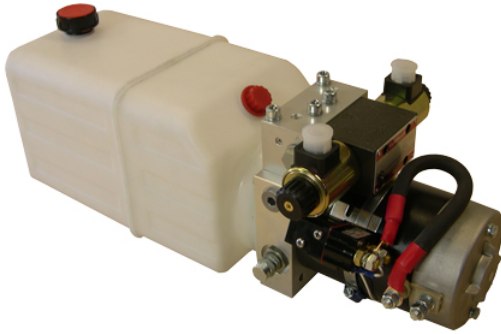
Kungsgatan 67 | S-341 32 Ljungby | hf@hydraulfunktion.se | Tel.: +46(0)372-15840 | Fax.: +46(0)372-15843

HF C200-02

dc power packs for block mounted
CETOP 3 NG6 valves

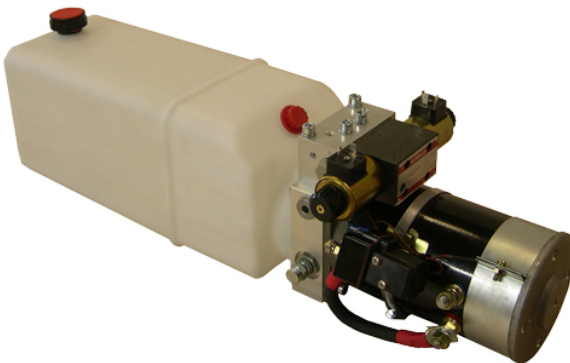


Examples:



12C20-0201-20-32-6P

dc motor: 2kW (12V)
gear pump: 3,2ccm /rev
oil tank: 6 Liter (usable vol. 7,1 L)



24C20-0202-30-32-8P

dc motor: 2kW (12V)
gear pump: 1,7ccm /rev
oil tank: 8 Liter (usable vol. 9,9 L)

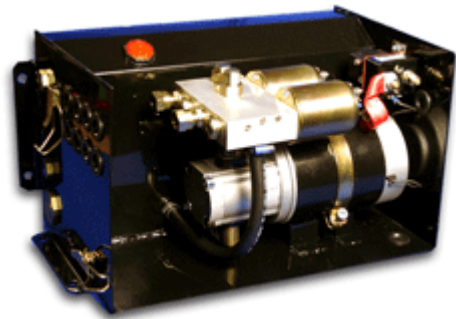


HYDRAULFUNKTION AB

Other HF products

HYDRAULFUNKTION is manufacturing dc hydraulic power pack and hydraulic components. This includes 3 main product groups

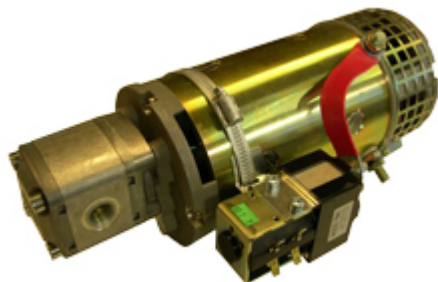
dc box power packs



dc compact power packs



dc motor-pump units





What does HYDRAULFUNKTION stand for?

HYDRAULFUNKTION is dedicated to customer satisfaction. Our goal is to offer our customers

- good service
- good quality products
- a fair price even at low quantities
- the best technical support

HYDRAULFUNKTION is specialized in the production of small and medium size series. We want to give small companies in the vehicle building industry access to products, services and PRICES that are common in the high volume OEM markets.

We know, that small manufacturers in the vehicle building and material handling industry are doing a wonderful job; innovative and flexible. We want to support this type of company.

If you have any ideas, questions or problems, please don't hesitate to contact HYDRAULFUNKTION AB.



Impress

General:

This catalogue has been written with greatest concerns. Still it can contain errors and mistakes. For errors and mistakes the author can nor be made legally liable.

Layout and content: Hydraulfunktion GmbH

Version: 09.0608

Publishing date: 08. June 2009

HF
power packs

For mobile hydraulics

Contact

Hydraulfunktion AB Production / Supplier

Kungsgatan 67
(S) 341 32 Ljungby
Sweden

Tel: +46 (0)372 - 15840

Fax: +46 (0)372 - 15843

Email: hf@hydraulfunktion.se